



# Cimarron™ 4 10'x7' plus Vestibule

## Instructions apply to Part Number 9260B107

### When You Are Ready To Set Up Your Tent

- Select a level campsite clear of rocks, branches and other hard or sharp objects.
- Do not set up your tent under trees.
- For best results in windy conditions, do not position the door of tent into the wind.

(2) Main  
Tent Poles

(1) Rainfly  
Pole

### POLE ASSEMBLY PARTS

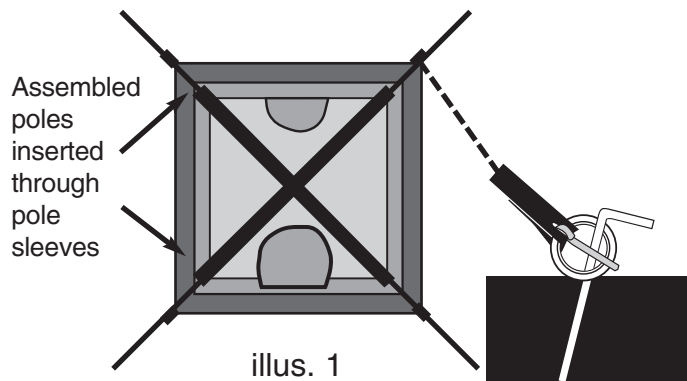
Part No. 9260B2121

Part No. 9260B2131

Rainfly Part No. 9260B2111

## 1 Layout & Positioning of Tent, Pole Assembly

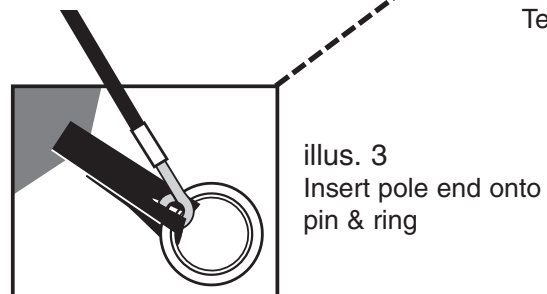
- Layout and position tent with door facing desired direction. (illus. 1)
- Unzip door.
- Stake down tent corners only, using the rings at the end of the stake loops. Keep the floor taut. (illus. 2)
- Assemble frame poles by interlocking shock-corded poles. This will make two long poles.
- Insert the poles diagonally into pole sleeves. The center of the poles should cross forming an "X" in the middle of tent. (illus. 1)



illus. 2 Tent stake through ring

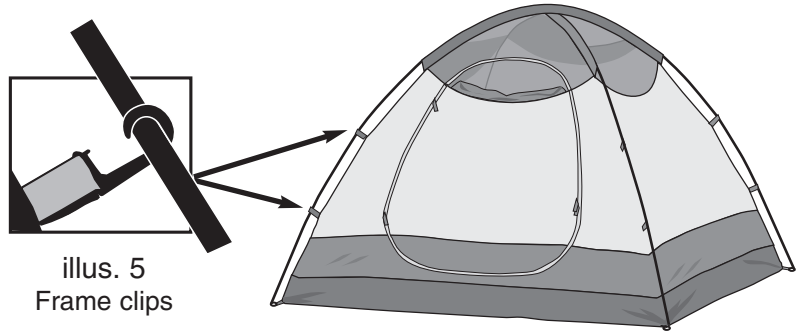
## 2 Connect Frame to Tent

- Insert one end of main tent pole end onto pin of pin & ring system, at tent corner. (illus. 3)
- Go to opposite end of pole and gradually apply pressure to the pole forming an arch until you are able to insert the pin into the pole.
- Repeat for second pole.



### 3 Attach Tent to Frame Using Frame Clips

- Attach frame clips along the edges of tent to frame poles. (illus. 5), (illus. 6)
- Make any adjustments to the tent corner stakes that are needed.

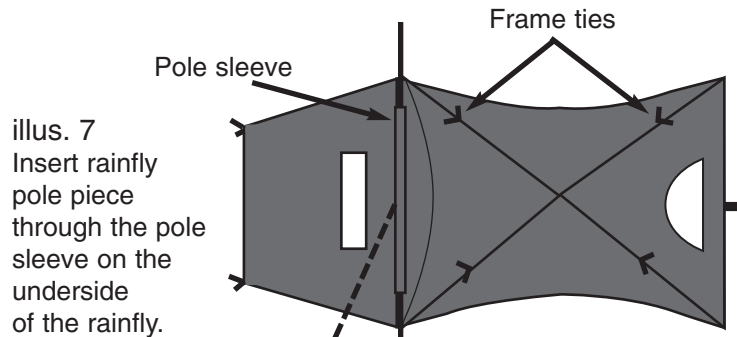


illus. 5  
Frame clips

illus. 6  
Assembled tent without rainfly.

### 4 Attach Rainfly

- Assemble rainfly pole by interlocking shock-corded pole.
- Insert rainfly pole through pole sleeve above vestibule door on the underside of rainfly. (illus. 7), (illus. 8)
- Drape rainfly over tent frame, pole side down. Rainfly pole should be over the tent door.
- Insert one end of rainfly pole end onto pin of pin & ring system, at the front tent corner. (illus. 4)
- Go to opposite end of pole and gradually apply pressure to the pole forming an arch until you are able to insert the pin into the pole.
- Connect the four elastic loops with “S” hooks, (found at the rainfly corners) to the four rings located at the end of the stake loops at the corners of the tent.
- Secure rainfly with attachments located on the underside of fly. (illus. 8)
- Stake out the tent with guylines. (illus. 8)
- Stake out front of the vestibule.



illus. 7  
Insert rainfly pole piece through the pole sleeve on the underside of the rainfly.



illus. 8 Completed tent with rainfly. Note where rainfly pole sleeves, rings, and under ties are located.

“S” hooks attach rings at the corners.

#### Things You Should Know

● Under certain conditions (cold weather, high humidity, etc.) condensation will form on the inside surfaces of your tent. Condensation is caused by water vapor from your breath, perspiration, or any wet clothing inside your tent. It is NOT LEAKAGE through the tent fabric. It can be minimized by removing wet clothing from your tent and by providing good ventilation through the tent.

● Never store tent, even for a short period of time, without drying it thoroughly and brushing off caked dirt. Do not pack stakes or poles inside your tent. Use a separate storage bag.

● STAKES SHOULD BE REMOVED BY PULLING ON THE STAKE ITSELF. NEVER PULL ON THE TENT FABRIC OR TENT STAKE LOOP TO REMOVE STAKE.

● TENT POLES SHOULD NOT BE LEFT TELESCOPED TOGETHER DURING STORAGE.

● Seam sealer has not been provided with your tent. For additional protection we recommend seam sealing your tent prior to camping. Seam sealer may be purchased through your local retailer or at your local sporting goods store.

● Do not leave your tent set-up for weeks at a time, be aware that exposure to the ultraviolet rays of the sun can seriously damage material and/or cause it to become discolored.

**WARNING: KEEP ALL FLAME AND HEAT SOURCES AWAY FROM THIS TENT FABRIC. This tent meets the flammability requirements of CPAI-84. The fabric will burn if left in continuous contact with any flame source. The application of any foreign substance to the tent fabric may render the flame-resistant properties ineffective.**



THE COLEMAN CO., INC.

3600 N. Hydraulic • Wichita, Kansas 67219

1-800-835-3278 • www.coleman.com

MADE IN CHINA